

free-maintenance battery Technology Specification

Customer _____

Part name **free-maintenance battery**

Model No **PK-12350S (12V35AH)**

Serial No _____

Produce No _____

Approved by		Drafted by	Wenfei liang
Checked by		Signed by	Xiaojun nie
Prepared by		Valid Date	2018-10-31

Company address: 4th Building,Meitai Technology Park,Guanguang
Road,Longhua,Shenzhen,China.

(Tel) : +86-755-86670672

(Fax) : +86-755-86670609

E-mail: pkcell@pkcell.net pkcell@pkcell.com

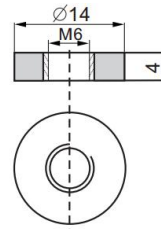
Website: <http://www.pkcell.net> <http://www.pkcell.com>

ADD: 4th Building, Meitai Technology Park, Guanguang Road, Longhua, Shenzhen, China. 518110

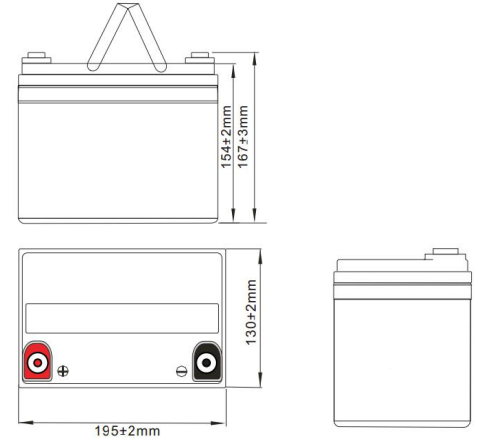
free-maintenance battery

CA12350S [12V35AH]

• Outer dimensions(mm)



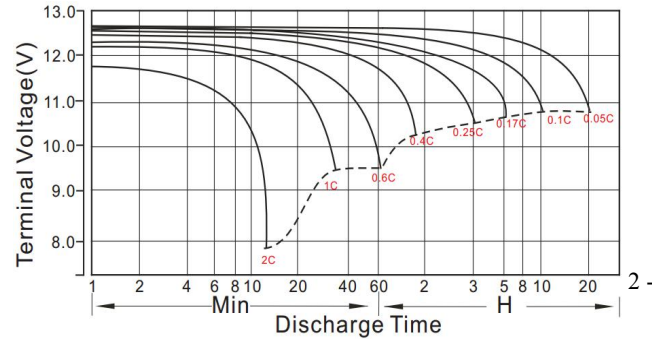
T2 Terminal



Specification

• Discharge Characteristics(25°C/77°F)

Nominal voltage		12V	Rate Capacity (20 hour rate)	35AH
Dimensions	Length	195mm 7.68 in.	Weight Approx	11.2kg
	Width	130mm 5.12 in.		
	Height	154mm 6.06 in.	Standard Terminal	T2
	Total Height (With Terminals)	180mm 7.09 in.		
Optional Terminal			N/A	



Electrical Specifications

Capacity 77° F(25°C)	20 hour rate	35AH	Internal Resistance	12m Ω
	10 hour rate	31.5AH		
	5 hour rate	29.8AH		
Max.Discharge Current		400A(5S)	Full charged battery	
Capacity Affected by Temperature (10hour rate)	104° F(40°C)	102%	Self-discharge 77° F(25°C)	Capacity after 1 month storage 90%
	77° F(25°C)	100%		Capacity after 3 month storage 75%
	32° F(0°C)	80%		Capacity after 6 month storage 65%
	5° F(-15°C)	50%		Capacity after 12 month storage 55%
Charge Constant Voltage	Cycle use: Initial Charging Current less than 10.0A; Voltage 14.40~15.00V 77° F(25°C) Standby use: Voltage 13.50~13.80V 77° F(25°C)			

Temperature Effects in Relation to Battery Capacity

