

## free-maintenance battery Technology Specification

**Customer** \_\_\_\_\_

**Part name** **free-maintenance battery**  
\_\_\_\_\_

**Model No** **PK-1226 (12V2.6AH)**  
\_\_\_\_\_

**Serial No** \_\_\_\_\_

**Produce No** \_\_\_\_\_

<b>Approved by</b>		<b>Drafted by</b>	Wenfei liang
<b>Checked by</b>		<b>Signed by</b>	Xiaojun nie
<b>Prepared by</b>		<b>Valid Date</b>	2019-08-06

Company address:4th Building,Meitai Technology Park,Guanguang  
Road,Longhua,Shenzhen,China

(Tel) : +86-755-86670672

(Fax) : +86-755-86670609

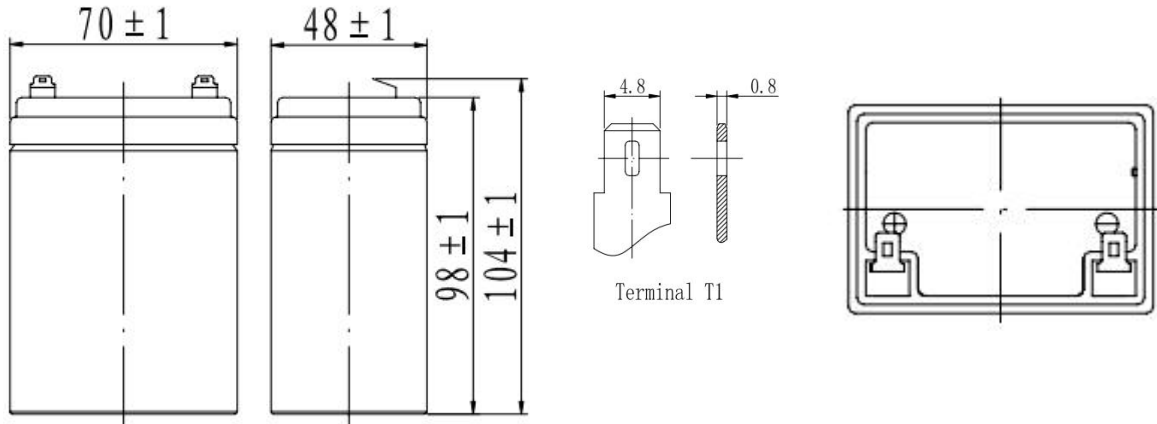
E-mail: [pkcell@pkcell.net](mailto:pkcell@pkcell.net)      [pkcell@pkcell.com](mailto:pkcell@pkcell.com)

Website: <http://www.pkcell.net>      <http://www.pkcell.com>

**free-maintenance battery**

PK-1226 [12V2.6AH]

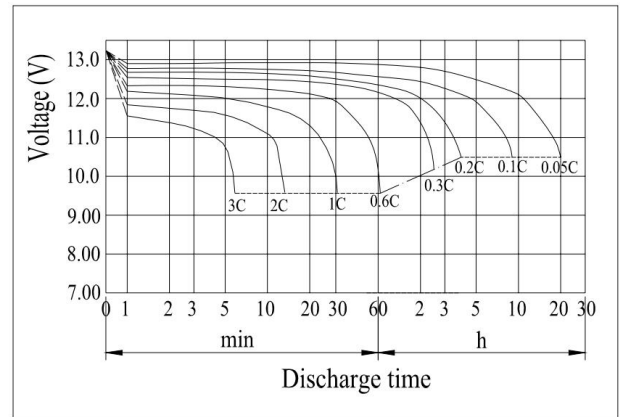
• Outer dimensions(mm)



**Specification**

Nominal voltage		<b>12V</b>	Rate Capacity (20 hour rate)	<b>2.6AH</b>
Dimensions ±1mm	Length	70mm 2.76 in.	Weight Approx	<b>0.78kg</b>
	Width	48mm 1.89 in.	Standard Terminal	<b>T1</b>
	Height	98mm 3.86 in.		Optional Terminal
	Total Height (With Terminals)	104mm 4.09 in.		

**Discharge Characteristics(25°C)**



**Electrical Specifications**

Capacity 77° F(25°C)	20 hour rate(130mA, 10.5V)	2.6AH	Internal Resistance		55m Ω
			Full charged battery		
Capacity Affected by Temperature (20hour rate)	104° F(40°C)	102%	Self-discharge 77° F(25°C)	Capacity after 1 month storage 90%	
	77° F(25°C)	100%		Capacity after 3 month storage 75%	
	32° F(0°C)	80%		Capacity after 6 month storage 65%	
	5° F(-15°C)	50%		Capacity after 12 month storage 55%	
Charge Constant Voltage	Cycle use: Initial Charging Current less than 0.78A; Voltage 14.20~15.00V 77° F(25°C) Standby use: Voltage 13.50~13.80V 77° F(25°C)				

**Effect of Temperature on Capacity**

