

free-maintenance battery Technology Specification

Customer _____

Part name **free-maintenance battery**

Model No **PK-1213 (12V1.3Ah)**

Serial No _____

Produce No _____

Approved by		Drafted by	WenFei Liang
Checked by		Signed by	Xiao jun nie
Prepared by		Valid Date	2018-10-30

Company address: 4th Building,Meitai Technology Park,Guanguang Road,Longhua,Shenzhen,China.

(Tel) : +86-755-86670672

(Fax) : +86-755-86670609

E-mail: pkcell@pkcell.net pkcell@pkcell.com

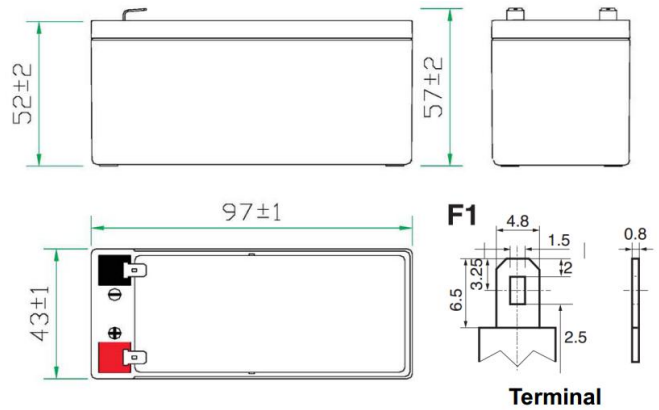
Website: <http://www.pkcell.net> <http://www.pkcell.com>

ADD: 4th Building,Meitai Technology Park,Guangang Road,Longhua,Shenzhen,China.518110

free-maintenance battery

PK-1213 [12V1.3AH]

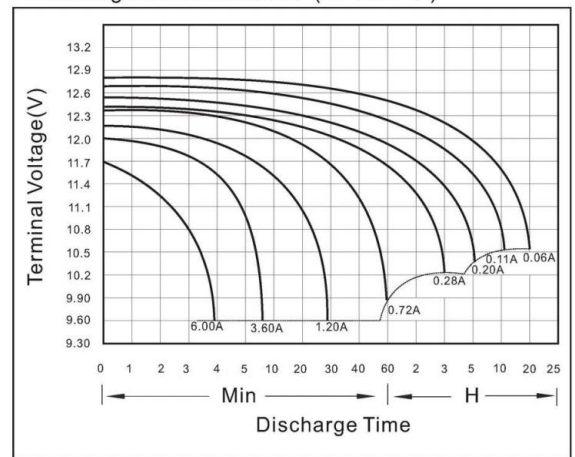
• **Outer dimensions(mm)**



Specification

Nominal voltage		12V	Rate Capacity (20 hour rate)	1.3AH
Dimensions ±1mm	Length	97mm 3.82 in.	Weight Approx	495g
	Width	43mm 1.69 in.	Standard Terminal	F1
	Height	52mm 2.43 in.		
	Total Height (With Terminals)	57mm 4.01 in.	Optional Terminal	N/A

• **Discharge Characteristics (25°C/77°F)**



Electrical Specifications

Capacity 77° F(25°C)	20 hour rate(65mA)	1.3AH	Internal Resistance		120m Ω
	10 hour rate(108mA)	1.08AH			
	Full charged battery		Self-discharge 77 °F(25°C)		
	5 hour rate(204mA)	1.02AH			
Capacity Affected by Temperature (20hour rate)	104° F(40°C)	102%	Capacity after 1 month storage 90%		
	77° F(25°C)	100%	Capacity after 3 month storage 75%		
	32° F(0°C)	80%	Capacity after 6 month storage 65%		
	5° F(-15°C)	50%	Capacity after 12 month storage 55%		
Charge Constant Voltage	Cycle use: Initial Charging Current less than 0.36A; Voltage 14.20~15.00V 77° F(25°C) Standby use: Voltage 13.50~13.80V 77° F(25°C)				

Temperature Effects in Relation to Battery Capacity

