

free-maintenance battery Technology Specification

Customer _____

Part name **free-maintenance battery**

Model No **PK-1270 (12V7.2AH)**

Serial No _____

Produce No _____

| | | | |
|--------------------|--|-------------------|--------------|
| Approved by | | Drafted by | Wenfei liang |
| Checked by | | Signed by | Xiaojun nie |
| Prepared by | | Valid Date | 2019-07-04 |

Company address: 4th Building, Meitai Technology Park, Guanguang Road, Longhua, Shenzhen, China.

(Tel) : +86-755-86670672

(Fax) : +86-755-86670609

E-mail: pkcell@pkcell.net pkcell@pkcell.com

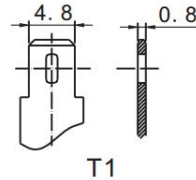
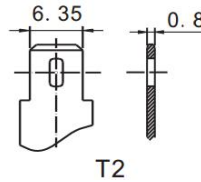
Website: <http://www.pkcell.net> <http://www.pkcell.com>

ADD: 4th Building, Meitai Technology Park, Guangguang Road, Longhua, Shenzhen, China. 518110

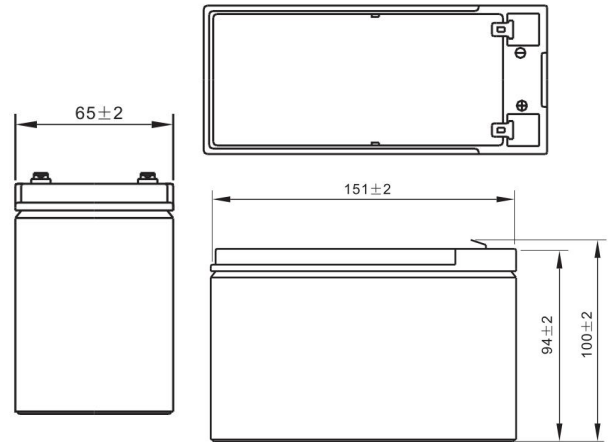
free-maintenance battery

PK-1270 [12V7.2AH]

• **Outer dimensions(mm)**



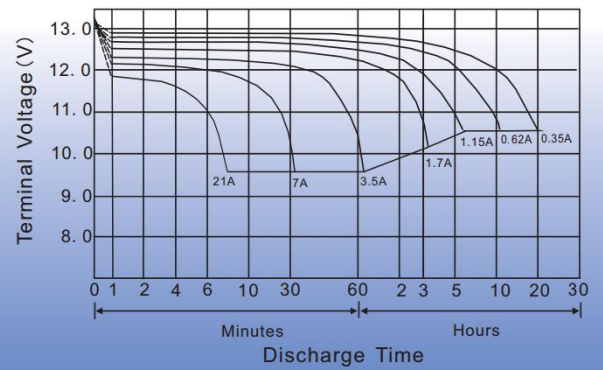
Terminal



Specification

| | | | | |
|------------------------|--------------------------------------|----------------|-------------------------------------|--------------|
| Nominal voltage | | 12V | Rate Capacity (20 hour rate) | 7.2AH |
| Dimensions ±1mm | Length | 151mm 5.94 in. | Weight Approx | 2100g |
| | Width | 65mm 2.56 in. | Standard Terminal | T1 |
| | Height | 94mm 3.70 in. | | |
| | Total Height (With Terminals) | 100mm 3.94 in. | Optional Terminal | T2 |

DISCHARGE TIME VS. DISCHARGE CURRENT (25°C)



Electrical Specifications

| | | | | |
|---|--|-------|-----------------------------------|-------------------------------------|
| Capacity 77° F(25°C) | 20 hour rate(360mA, 10.5V) | 7.2AH | Internal Resistance | 28mΩ |
| | Full charged battery | | | |
| Capacity Affected by Temperature (20hour rate) | 104° F(40°C) | 102% | Self-discharge 77° F(25°C) | Capacity after 1 month storage 90% |
| | 77° F(25°C) | 100% | | Capacity after 3 month storage 75% |
| | 32° F(0°C) | 80% | | Capacity after 6 month storage 65% |
| | 5° F(-15°C) | 50% | | Capacity after 12 month storage 55% |
| Charge Constant Voltage | Cycle use: Initial Charging Current less than 2.10A; Voltage 14.20~15.00V 77° F(25°C) Standby use: Voltage 13.50~13.80V 77° F(25°C) | | | |

TEMPERATURE EFFECTS CURVE

