

free-maintenance battery Technology Specification

Customer _____

Part name **free-maintenance battery**

Model No **PK-1270 (12V7.0AH)**

Serial No _____

Produce No _____

Approved by		Drafted by	Wenfei liang
Checked by		Signed by	Xiaojun nie
Prepared by		Valid Date	2019-07-04

Company address: 4th Building, Meitai Technology Park, Guanguang Road, Longhua, Shenzhen, China.

(Tel) : +86-755-86670672

(Fax) : +86-755-86670609

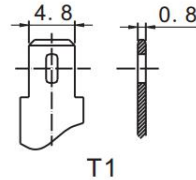
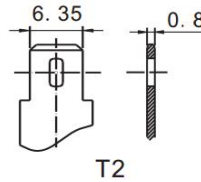
E-mail: pkcell@pkcell.net pkcell@pkcell.com

Website: <http://www.pkcell.net> <http://www.pkcell.com>

ADD: 4th Building, Meitai Technology Park, Guangguang Road, Longhua, Shenzhen, China. 518110

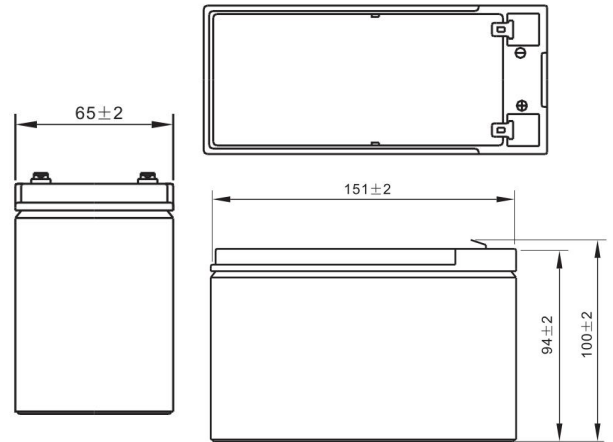
free-maintenance battery

PK-1270 [12V7.0AH]



Terminal

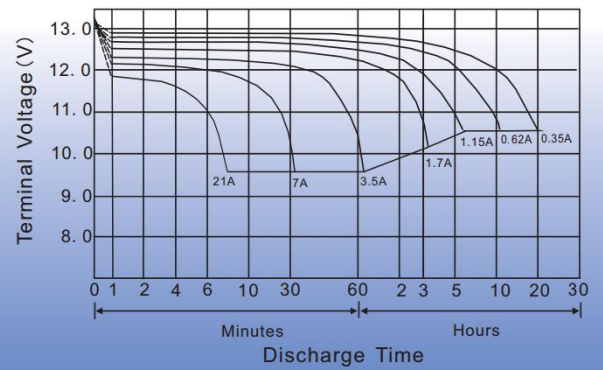
• **Outer dimensions(mm)**



Specification

Nominal voltage		12V	Rate Capacity (20 hour rate)	7AH
Dimensions ±1mm	Length	151mm 5.94 in.	Weight Approx	2000g
	Width	65mm 2.56 in.	Standard Terminal	T1
	Height	94mm 3.70 in.		
	Total Height (With Terminals)	100mm 3.94 in.	Optional Terminal	T2

DISCHARGE TIME VS. DISCHARGE CURRENT (25°C)



Electrical Specifications

Capacity 77° F(25°C)	20 hour rate(350mA, 10.5V)	7.0AH	Internal Resistance	28mΩ
	Full charged battery			
Capacity Affected by Temperature (20hour rate)	104° F(40°C)	102%	Self-discharge 77° F(25°C)	Capacity after 1 month storage 90%
	77° F(25°C)	100%		Capacity after 3 month storage 75%
	32° F(0°C)	80%		Capacity after 6 month storage 65%
	5° F(-15°C)	50%		Capacity after 12 month storage 55%
Charge Constant Voltage	Cycle use: Initial Charging Current less than 2.10A; Voltage 14.20~15.00V 77° F(25°C) Standby use: Voltage 13.50~13.80V 77° F(25°C)			

TEMPERATURE EFFECTS CURVE

